

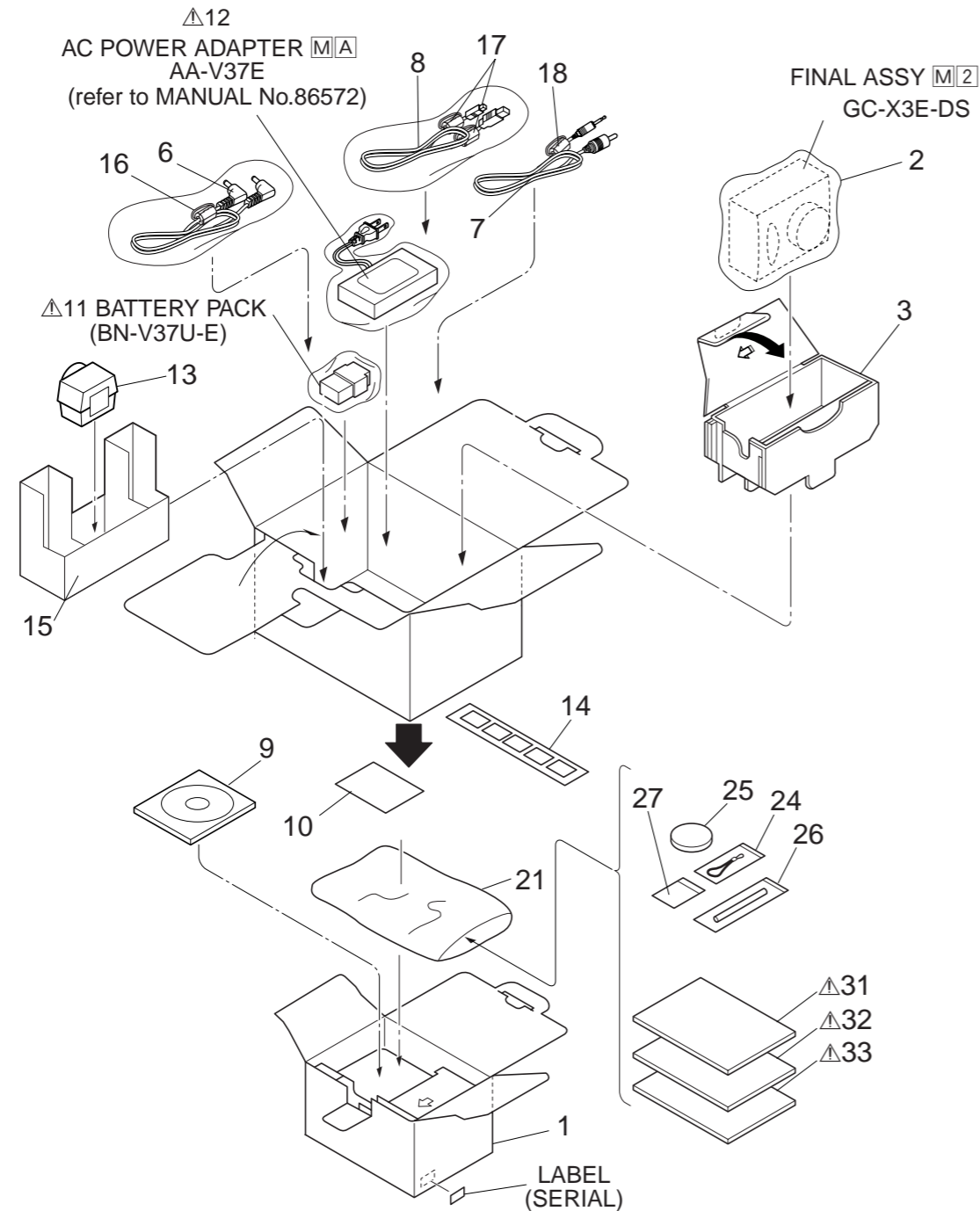
## SECTION 4 PARTS LIST

### SAFETY PRECAUTION

Parts identified by the  $\triangle$  symbol are critical for safety. Replace only with specified part numbers.

#### 4.1 PACKING AND ACCESSORY ASSEMBLY <M1>

The instruction manual to be provided with this product will differ according to the destination.



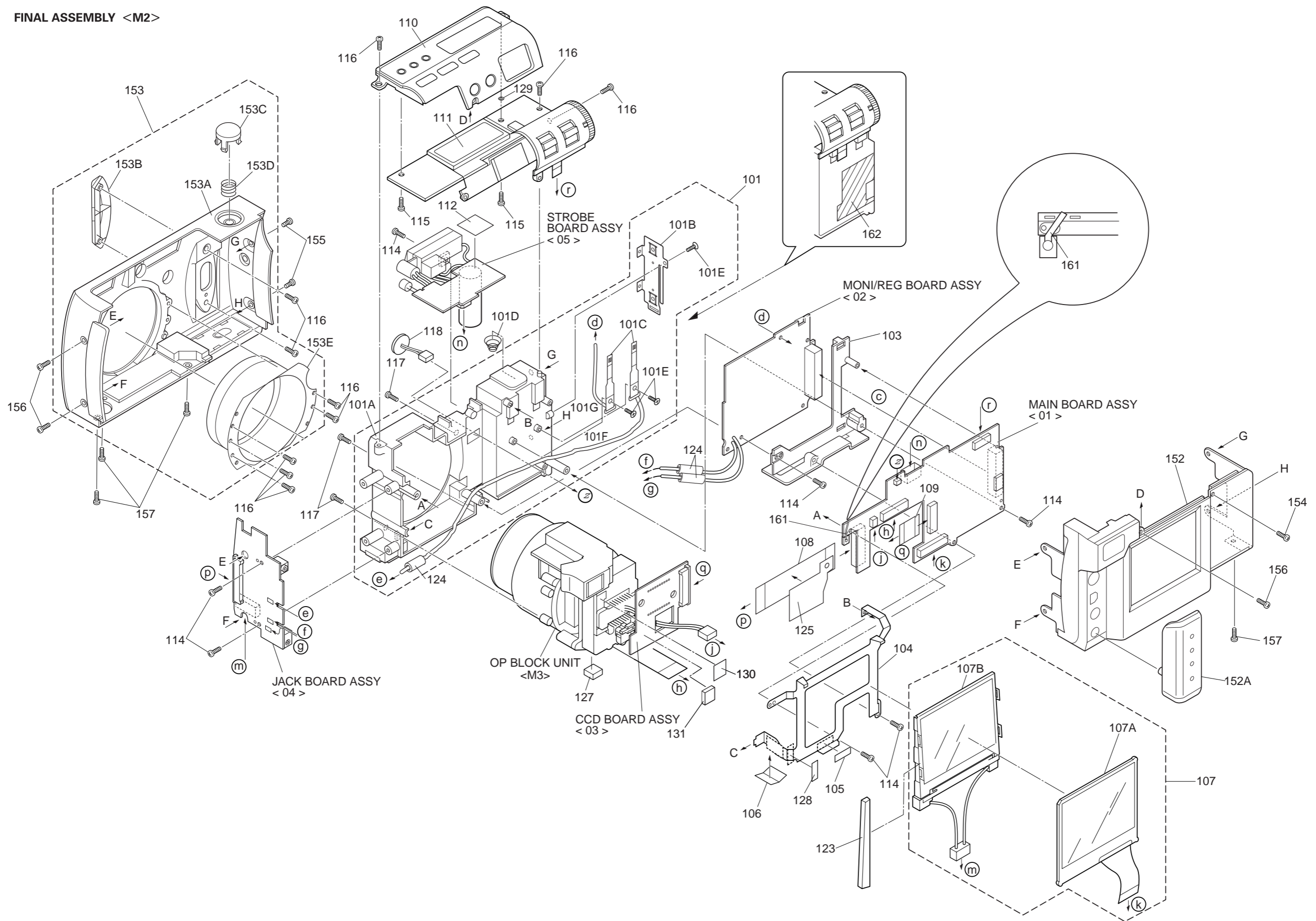
# $\triangle$  REF No. PART No. PART NAME, DESCRIPTION

\*\*\*\*\*

### PACKING AND ACCESSORY ASSEMBLY <M1>

1	LY32048-003A	PACKING CASE
2	LY30023-016A	POLY BAG
3	LY31466-001A	CUSHION
6	PEAC0449	DC PLUG CORD
7	PEAC0496	VIDEO CABLE
8	QAM0252-001	USB CABLE
9	LY31074-015A	CD ROM ASSY
10	BT-54008-2	GUARANTY CARD
$\triangle$ 11	LY20545-003C	AC POWER ADAPTER
$\triangle$ 12	LY31583-002A	BATTERY PACK
13	LY20687-001A	FILM COPY ADAP.
14	LY32047-001A	FILM HOLDER ASSY
15	LY32050-001A	CUSHION(ACC)
16	QQR0491-002	CORE FILTER
17	QQR0491-001	CORE FILTER
18	QQR0917-001	CORE FILTER
21	QPA02003006	POLY BAG
24	LY30663-001A	HAND STRAP
25	LY31468-002A	LENS CAP
26	LY42313-001A	STRING
27	LY31737-001A	MEDIA CARD ASSY
$\triangle$ 31	LYT0670-001A	INST.BOOK(EN)
$\triangle$ 32	LYT0670-002A	INST.BOOK(GE)
$\triangle$ 33	LYT0670-003A	INST.BOOK(FR)

4.3 FINAL ASSEMBLY <M2>



# REF No. PART No. PART NAME, DESCRIPTION

# REF No. PART No. PART NAME, DESCRIPTION

\*\*\*\*\*

CABINET AND CHASSIS ASSEMBLY <M2>

101	LY31451-001B	FRAME ASSEMBLY
101A	LY20518-001A	FRAME
101B	LY41858-001A	BKT(STOPPER)
101C	LY41860-001A	TERMINAL(BATTERY)
101D	LY41861-001A	SPRING(BATTERY)
101E	LY30018-019A	SPECIAL SCREW
101F	QUB221-14A3A8	WIRE,(BRN)
101G	QUB222-05A3A8	WIRE,(RED)
103	LY31457-007B	PWB HOLDER ASSY
104	LY31467-001A	HOLDER(LCD)
105	LY30029-031A	SPACER(A)
106	LY30016-085A	SPACER-A
107	---	LCD MODULE ASSEMBLY
107A	QLD0131-001	LCD MODULE
107B	QLL0084-001	BACK LIGHT
108	QUQ105-3805AA	FFC WIRE,MAIN-JACK
109	QAL0234-001	FPC,(MAIN-CCD)
110	LY31460-008B	TOP COVER ASSY
111	LY20521-007B	OPERATION UNIT
112	LY30016-078A	SPACER-A
114	LY30018-060A	SPECIAL SCREW
115	LY30018-010A	SPECIAL SCREW
116	LY30018-023A	SPECIAL SCREW
117	LY30019-025A	SPECIAL SCREW
118	LY31454-001A	MICROPHONE
123	LY30029-067A	SPACER(A)
124	QQR1115-005	FERRITE RING
125	LY42765-001A	S.SHEET(ESD)
127	LY30029-081A	SPACER(A)
128	LY30016-068A	SPACER-A
129	LY30017-020A	SPACER-B
130	LY42890-001A	SHEET
131	LY30029-0C2A	SPACER(A)
152	LY20519-008B	REAR COVER ASSY
152A	LY31456-001A	COVER(JACK)
153	LYH20222-005A	FRONT COVER ASSY
153A	LY20516-010A	FRONT COVER
153B	LY31444-002A	GRIP
153C	LY41854-001A	KNOB(SHUTTER)
153D	LY30002-042B	COMPRES. SPRING
153E	LY31446-001B	HOOD
154	LY30018-023A	SPECIAL SCREW
155	LY30018-056A	SPECIAL SCREW
156	LY30018-059A	SPECIAL SCREW
157	LY30018-060A	SPECIAL SCREW
161	LY30029-080A	SPACER(A)
162	LY42439-001B	HEAT SINK

#### 4.4 ELECTRICAL PARTS LIST

#	△ REF No.	PART No.	PART NAME, DESCRIPTION
*****			
<b>MAIN BOARD ASSEMBLY &lt;01&gt;</b>			
PW1		YB10299E-03	MAIN BOARD ASSY
IC401		BA10324AF-XE	IC
IC402		UPC358G2/5/-W	IC
IC501		LB1837M	IC
IC502		LB1837M	IC
IC503		TC7S14FU	IC(DIGITAL)
IC504		TC7W74FK	IC
IC2001		HD49326BF	IC
IC2501		BA3308FV	IC
IC2601		AK4550VT	IC
IC3001		JCY0146-2	IC
IC3002		74AHC1G08GW	IC
IC3501		KM416S4030CC-GL	IC
IC3502		KM416S4030CC-GL	IC
IC3503		KM416S4030CC-GL	IC
IC3504		TC7SH04FU	IC(DIGITAL)
IC4001		JCY0135	IC
IC4005		RS5C314	IC
IC4007		M62367GP	IC
IC4008		IC-PST9327U-X	IC
IC4009		S-814A30AMC-W	IC
IC4015		ML60851CLB	IC
IC4101		IC-PST9327U-X	IC
IC4102		S-80824ANNP-W	IC
IC4103		TC7W32FK	IC
IC4104		TC7W08FK	IC
IC4105		TC7W04FK	IC
IC4106		TC7W08FK	IC
IC4107		TC7W74FK	IC
IC4109		TC7S66FU	IC(DIGITAL)
IC4501		MBV400TC90PBA35	IC(MICRO C ROM)
IC4502		MSM56V16160D1LS	IC
IC5001		JCY0097-3	IC
IC5002		MSM56V16160D1LS	IC
IC5003		TC7SH04FU	IC(DIGITAL)
IC5004		TC7W08FK	IC
IC5005		TC7S66FU	IC(DIGITAL)
IC5006		TC7S66FU	IC(DIGITAL)
IC5007		TC7S66FU	IC(DIGITAL)
IC5008		TC7S04FU	IC(DIGITAL)
IC5009		TC7S08FU	IC(DIGITAL)
IC5501		M32310D5WG	IC
IC5503		MBV400TC90PBM33	IC(MICRO C ROM)
		or MBV400TC90PBM34	IC(MICRO C ROM)
IC5504		TC7S08FU	IC(DIGITAL)
IC6601		TC7WH74FK	IC
Q401		2SC4617/QR/-X	TRANSISTOR
Q402		DTA144EE	TRANSISTOR
Q501		DTC114EE	TRANSISTOR
Q502		DTC114EE	TRANSISTOR
Q503		2SC4617/RS/-X	TRANSISTOR
Q504		2SD2114K/UV/-X	TRANSISTOR
Q2501		2SC4617/QR/-X	TRANSISTOR
Q3001		HN1C01FU/G/-X	PAIR TRANSISTOR
Q3002		HN1C01FU/G/-X	PAIR TRANSISTOR
Q3003		HN1C01FU/G/-X	PAIR TRANSISTOR
Q3004		2SC4617/QR/-X	TRANSISTOR

#	△ REF No.	PART No.	PART NAME, DESCRIPTION
Q4001		DTA114EE	TRANSISTOR
Q4002		DTA144EE	TRANSISTOR
Q4003		2SA1774/RS/-X	TRANSISTOR
Q4004		RN1104FT	TRANSISTOR
Q4005		DTA114EE	TRANSISTOR
Q4006		2SB970/QRS/-X	TRANSISTOR
		or 2SB710/R/-X	TRANSISTOR
Q5501		2SC4617/QR/-X	TRANSISTOR
Q5502		2SA1774/RS/-X	TRANSISTOR
Q5503		2SA1774/RS/-X	TRANSISTOR
Q5504		HN1C01FU/G/-X	PAIR TRANSISTOR
Q5505		2SC4617/QR/-X	TRANSISTOR
Q6605		UN9211J	TRANSISTOR
Q6607		UN911HJ	TRANSISTOR
Q6609		DTC144EE	TRANSISTOR
Q6610		UMS1N	PAIR TRANSISTOR
Q6611		2SC4617/RS/-X	TRANSISTOR
Q6612		UMS1N	PAIR TRANSISTOR
Q6613		2SA1774/RS/-X	TRANSISTOR
Q6614		XP1211	TRANSISTOR
D501		1SS355	DIODE
D4002		TLSU1002/LM/-X	LE DIODE
D4004		TLGU1002/KL/-X	LE DIODE
△ D4005		MA716	DIODE
D4101		MA704	SB DIODE
R405		NRSA6AJ-105W	MG RESISTOR
			1MΩ, 1/16W
R407		NRSA6AJ-105W	MG RESISTOR
			1MΩ, 1/16W
R408		NRSA6AJ-103W	MG RESISTOR
			10kΩ, 1/16W
R409		NRSA6AJ-104W	MG RESISTOR
			100kΩ, 1/16W
R410		NRSA6AJ-243W	MG RESISTOR
			24kΩ, 1/16W
R411		NRSA6AJ-103W	MG RESISTOR
			10kΩ, 1/16W
R413		NRSA6AJ-472W	MG RESISTOR
			4.7kΩ, 1/16W
R414		NRSA6AJ-473W	MG RESISTOR
			47kΩ, 1/16W
R415		NRSA6AJ-103W	MG RESISTOR
			10kΩ, 1/16W
R416		NRSA6AJ-391W	MG RESISTOR
			390Ω, 1/16W
R417		NRSA6AJ-472W	MG RESISTOR
			4.7kΩ, 1/16W
R418		NRSA6AJ-0ROW	MG RESISTOR
			0Ω, 1/16W
R419		NRSA6AJ-104W	MG RESISTOR
			100kΩ, 1/16W
R420		NRSA6AJ-683W	MG RESISTOR
			68kΩ, 1/16W
R421		NRSA6AJ-822W	MG RESISTOR
			8.2kΩ, 1/16W
R422		NRSA6AJ-102W	MG RESISTOR
			1kΩ, 1/16W
R423		NRSA6AJ-334W	MG RESISTOR
			330kΩ, 1/16W
R424		NRSA6AJ-104W	MG RESISTOR
			100kΩ, 1/16W
R425		NRSA6AJ-102W	MG RESISTOR
			1kΩ, 1/16W
R426		NRSA6AJ-184W	MG RESISTOR
			180kΩ, 1/16W
R427		NRSA6AJ-333W	MG RESISTOR
			33kΩ, 1/16W
R428		NRSA6AJ-223W	MG RESISTOR
			22kΩ, 1/16W
R502		NRSA6AJ-103W	MG RESISTOR
			10kΩ, 1/16W
R505		NRSA6AJ-513W	MG RESISTOR
			51kΩ, 1/16W
R506		NRSA6AJ-303W	MG RESISTOR
			30kΩ, 1/16W
R507		NRSA6AJ-103W	MG RESISTOR
			10kΩ, 1/16W
R510		NRSA6AJ-223W	MG RESISTOR
			22kΩ, 1/16W
R511		NRSA6AJ-223W	MG RESISTOR
			22kΩ, 1/16W
R512		NRSA6AJ-0ROW	MG RESISTOR
			0Ω, 1/16W
R513		NRSA6AJ-271W	MG RESISTOR
			270Ω, 1/16W
R514		NRSA6AJ-333W	MG RESISTOR
			33kΩ, 1/16W
R515		NRSA6AJ-333W	MG RESISTOR
			33kΩ, 1/16W
R516		NRSA6AJ-271W	MG RESISTOR
			270Ω, 1/16W
R517		NRSA6AJ-0ROW	MG RESISTOR
			0Ω, 1/16W
R518		NRSA6AJ-0ROW	MG RESISTOR
			0Ω, 1/16W
R519		NRSA6AJ-103W	MG RESISTOR
			10kΩ, 1/16W

#	△	REF No.	PART No.	PART NAME, DESCRIPTION	#	△	REF No.	PART No.	PART NAME, DESCRIPTION
R520			NRSA6AJ-223W	MG RESISTOR	R3116			NRSA6AJ-0R0W	MG RESISTOR
R2001			NRSA6AJ-100W	MG RESISTOR	R3118			NRSA6AJ-0R0W	MG RESISTOR
R2002			NRSA6AJ-100W	MG RESISTOR	R3119			NRSA6AJ-0R0W	MG RESISTOR
R2003			NRSA6AJ-243W	MG RESISTOR	R3120			NRSA6AJ-220W	MG RESISTOR
R2004			NRSA6AJ-220W	MG RESISTOR	R3121			NRSA6AJ-680W	MG RESISTOR
R2008			NRSA6AJ-0R0W	MG RESISTOR	R3122			NRSA6AJ-680W	MG RESISTOR
R2009			NRSA6AJ-0R0W	MG RESISTOR	R3123			NRSA6AJ-0R0W	MG RESISTOR
R2012			NRSA6AJ-0R0W	MG RESISTOR	R3124			NRSA6AJ-680W	MG RESISTOR
R2013			NRSA6AJ-0R0W	MG RESISTOR	R3125			NRSA6AJ-680W	MG RESISTOR
R2016			NRSA6AJ-0R0W	MG RESISTOR	R3126			NRSA6AJ-680W	MG RESISTOR
R2017			NRSA6AJ-0R0W	MG RESISTOR	R3127			NRSA6AJ-680W	MG RESISTOR
R2501			NRSA6AJ-101W	MG RESISTOR	R3128			NRSA6AJ-220W	MG RESISTOR
R2502			NRSA6AJ-101W	MG RESISTOR	R3129			NRSA6AJ-220W	MG RESISTOR
R2503			NRSA6AJ-101W	MG RESISTOR	R3131			NRSA6AJ-0R0W	MG RESISTOR
R2504			NRSA6AJ-563W	MG RESISTOR	R3176			NRSA6AJ-101W	MG RESISTOR
R2505			NRSA6AJ-101W	MG RESISTOR	R3177			NRSA6AJ-101W	MG RESISTOR
R2506			NRSA6AJ-181W	MG RESISTOR	R3178			NRSA6AJ-101W	MG RESISTOR
R2507			NRSA6AJ-101W	MG RESISTOR	R3182			NRSA6AJ-0R0W	MG RESISTOR
R2508			NRSA6AJ-103W	MG RESISTOR	R3183			NRSA6AJ-0R0W	MG RESISTOR
R2509			NRSA6AJ-105W	MG RESISTOR	R3184			NRSA6AJ-0R0W	MG RESISTOR
R2510			NRSA6AJ-222W	MG RESISTOR	R3198			NRSA6AJ-0R0W	MG RESISTOR
R2512			NRSA6AJ-102W	MG RESISTOR	R3199			NRSA6AJ-0R0W	MG RESISTOR
R2602			NRSA6AJ-681W	MG RESISTOR	R3200			NRSA6AJ-0R0W	MG RESISTOR
R2603			NRSA6AJ-0R0W	MG RESISTOR	R3201			NRSA6AJ-0R0W	MG RESISTOR
R2604			NRSA6AJ-104W	MG RESISTOR	R3202			NRSA6AJ-0R0W	MG RESISTOR
R2605			NRSA6AJ-104W	MG RESISTOR	R3203			NRSA6AJ-0R0W	MG RESISTOR
R2606			NRSA6AJ-0R0W	MG RESISTOR	R3204			NRSA6AJ-0R0W	MG RESISTOR
R2609			NRSA6AJ-0R0W	MG RESISTOR	R3205			NRSA6AJ-0R0W	MG RESISTOR
R2610			NRSA6AJ-152W	MG RESISTOR	R3206			NRSA6AJ-0R0W	MG RESISTOR
R3002			NRSA6AJ-0R0W	MG RESISTOR	R3207			NRSA6AJ-0R0W	MG RESISTOR
R3003			NRSA6AJ-0R0W	MG RESISTOR	R3249			NRSA6AJ-153W	MG RESISTOR
R3007			NRSA6AJ-103W	MG RESISTOR	R3250			NRSA6AJ-123W	MG RESISTOR
R3008			NRSA6AJ-103W	MG RESISTOR	R3272			NRSA6AJ-123W	MG RESISTOR
R3009			NRSA6AJ-103W	MG RESISTOR	R3273			NRSA6AJ-123W	MG RESISTOR
R3010			NRSA6AJ-103W	MG RESISTOR	R3275			NRSA6AJ-123W	MG RESISTOR
R3011			NRSA6AJ-103W	MG RESISTOR	R3295			NRSA6AJ-272W	MG RESISTOR
R3012			NRSA6AJ-103W	MG RESISTOR	R3296			NRSA6AJ-272W	MG RESISTOR
R3013			NRSA6AJ-332W	MG RESISTOR	R3297			NRSA6AJ-103W	MG RESISTOR
R3014			NRSA6AJ-103W	MG RESISTOR	R3503			NRSA6AJ-473W	MG RESISTOR
R3015			NRSA6AJ-103W	MG RESISTOR	R3504			NRSA6AJ-0R0W	MG RESISTOR
R3016			NRSA6AJ-103W	MG RESISTOR	R3505			NRSA6AJ-0R0W	MG RESISTOR
R3017			NRSA6AJ-103W	MG RESISTOR	R3506			NRSA6AJ-0R0W	MG RESISTOR
R3018			NRSA6AJ-103W	MG RESISTOR	R3507			NRSA6AJ-0R0W	MG RESISTOR
R3019			NRSA6AJ-103W	MG RESISTOR	R3508			NRSA6AJ-0R0W	MG RESISTOR
R3020			NRSA6AJ-103W	MG RESISTOR	R4001			NRSA6AJ-103W	MG RESISTOR
R3021			NRSA6AJ-103W	MG RESISTOR	R4002			NRSA6AJ-0R0W	MG RESISTOR
R3022			NRSA6AJ-103W	MG RESISTOR	R4008			NRSA6AJ-0R0W	MG RESISTOR
R3023			NRSA6AJ-103W	MG RESISTOR	R4009			NRSA6AJ-0R0W	MG RESISTOR
R3024			NRSA6AJ-473W	MG RESISTOR	R4010			NRSA6AJ-0R0W	MG RESISTOR
R3025			NRSA6AJ-100W	MG RESISTOR	R4011			NRSA6AJ-103W	MG RESISTOR
R3042			NRSA6AJ-103W	MG RESISTOR	R4012			NRSA6AJ-103W	MG RESISTOR
R3043			NRSA6AJ-103W	MG RESISTOR	R4013			NRSA6AJ-103W	MG RESISTOR
R3044			NRSA6AJ-103W	MG RESISTOR	R4014			NRSA6AJ-271W	MG RESISTOR
R3045			NRSA6AJ-0R0W	MG RESISTOR	R4016			NRSA6AJ-103W	MG RESISTOR
R3072			NRSA6AJ-0R0W	MG RESISTOR	R4017			NRSA6AJ-103W	MG RESISTOR
R3073			NRSA6AJ-0R0W	MG RESISTOR	R4018			NRSA6AJ-103W	MG RESISTOR
R3074			NRSA6AJ-0R0W	MG RESISTOR	R4019			NRSA6AJ-103W	MG RESISTOR
R3076			NRSA6AJ-0R0W	MG RESISTOR	R4020			NRSA6AJ-103W	MG RESISTOR
R3077			NRSA6AJ-0R0W	MG RESISTOR	R4021			NRSA6AJ-103W	MG RESISTOR
R3078			NRSA6AJ-0R0W	MG RESISTOR	R4022			NRSA6AJ-103W	MG RESISTOR
R3115			NRSA6AJ-0R0W	MG RESISTOR	R4023			NRSA6AJ-103W	MG RESISTOR
					R4024			NRSA6AJ-102W	MG RESISTOR

#	△ REF No.	PART No.	PART NAME, DESCRIPTION	#	△ REF No.	PART No.	PART NAME, DESCRIPTION
R4025		NRSA6AJ-103W	MG RESISTOR 10kΩ,1/16W	R4104		NRSA6AJ-104W	MG RESISTOR 100kΩ,1/16W
R4026		NRSA6AJ-103W	MG RESISTOR 10kΩ,1/16W	R4105		NRSA6AJ-0R0W	MG RESISTOR 0Ω,1/16W
R4028		NRSA6AJ-103W	MG RESISTOR 10kΩ,1/16W	R4106		NRSA6AJ-105W	MG RESISTOR 1MΩ,1/16W
R4029		NRSA6AJ-103W	MG RESISTOR 10kΩ,1/16W	R4107		NRSA6AJ-0R0W	MG RESISTOR 0Ω,1/16W
R4030		NRSA6AJ-103W	MG RESISTOR 10kΩ,1/16W	R4108		NRSA6AJ-0R0W	MG RESISTOR 0Ω,1/16W
R4031		NRSA6AJ-103W	MG RESISTOR 10kΩ,1/16W	R4184		NRSA6AJ-471W	MG RESISTOR 470Ω,1/16W
R4032		NRSA6AJ-0R0W	MG RESISTOR 0Ω,1/16W	R4185		NRSA6AJ-0R0W	MG RESISTOR 0Ω,1/16W
R4034		NRSA6AJ-0R0W	MG RESISTOR 0Ω,1/16W	R4501		NRSA6AJ-0R0W	MG RESISTOR 0Ω,1/16W
R4035		NRSA6AJ-103W	MG RESISTOR 10kΩ,1/16W	R5001		NRSA6AD-123W	MG RESISTOR 12kΩ,1/16W
R4036		NRSA6AJ-222W	MG RESISTOR 2.2kΩ,1/16W	R5002		NRSA6AD-123W	MG RESISTOR 12kΩ,1/16W
R4037		NRSA6AJ-104W	MG RESISTOR 100kΩ,1/16W	R5003		NRSA6AD-153W	MG RESISTOR 15kΩ,1/16W
R4038		NRSA6AJ-0R0W	MG RESISTOR 0Ω,1/16W	R5004		NRSA6AD-123W	MG RESISTOR 12kΩ,1/16W
R4039		NRSA6AJ-0R0W	MG RESISTOR 0Ω,1/16W	R5005		NRSA6AD-153W	MG RESISTOR 15kΩ,1/16W
R4040		NRSA6AJ-0R0W	MG RESISTOR 0Ω,1/16W	R5006		NRSA6AD-123W	MG RESISTOR 12kΩ,1/16W
R4041		NRSA6AJ-0R0W	MG RESISTOR 0Ω,1/16W	R5007		NRSA6AJ-0R0W	MG RESISTOR 0Ω,1/16W
R4042		NRSA6AJ-0R0W	MG RESISTOR 0Ω,1/16W	R5008		NRSA6AJ-0R0W	MG RESISTOR 0Ω,1/16W
R4043		NRSA6AJ-0R0W	MG RESISTOR 0Ω,1/16W	R5009		NRSA6AJ-102W	MG RESISTOR 1kΩ,1/16W
R4044		NRSA6AJ-473W	MG RESISTOR 47kΩ,1/16W	R5010		NRSA6AJ-0R0W	MG RESISTOR 0Ω,1/16W
R4046		NRSA6AJ-103W	MG RESISTOR 10kΩ,1/16W	R5013		NRSA6AJ-0R0W	MG RESISTOR 0Ω,1/16W
R4047		NRSA6AJ-103W	MG RESISTOR 10kΩ,1/16W	R5014		NRSA6AJ-0R0W	MG RESISTOR 0Ω,1/16W
R4048		NRSA6AJ-103W	MG RESISTOR 10kΩ,1/16W	R5015		NRSA6AJ-0R0W	MG RESISTOR 0Ω,1/16W
R4049		NRSA6AJ-103W	MG RESISTOR 10kΩ,1/16W	R5016		NRSA6AJ-0R0W	MG RESISTOR 0Ω,1/16W
R4050		NRSA6AJ-103W	MG RESISTOR 10kΩ,1/16W	R5017		NRSA6AJ-0R0W	MG RESISTOR 0Ω,1/16W
R4051		NRSA6AJ-0R0W	MG RESISTOR 0Ω,1/16W	R5018		NRSA6AD-392W	MG RESISTOR 3.9kΩ,1/16W
R4052		NRSA6AJ-473W	MG RESISTOR 47kΩ,1/16W	R5019		NRSA6AD-272W	MG RESISTOR 2.7kΩ,1/16W
R4055		NRSA6AJ-103W	MG RESISTOR 10kΩ,1/16W	R5020		NRSA6AD-272W	MG RESISTOR 2.7kΩ,1/16W
R4056		NRSA6AJ-103W	MG RESISTOR 10kΩ,1/16W	R5040		NRSA6AJ-0R0W	MG RESISTOR 0Ω,1/16W
R4057		NRSA6AJ-104W	MG RESISTOR 100kΩ,1/16W	R5041		NRSA6AJ-0R0W	MG RESISTOR 0Ω,1/16W
R4058		NRSA6AJ-103W	MG RESISTOR 10kΩ,1/16W	R5042		NRSA6AJ-102W	MG RESISTOR 1kΩ,1/16W
R4059		NRSA6AJ-823W	MG RESISTOR 82kΩ,1/16W	R5044		NRSA6AJ-0R0W	MG RESISTOR 0Ω,1/16W
R4060		NRSA6AJ-562W	MG RESISTOR 5.6kΩ,1/16W	R5046		NRSA6AJ-563W	MG RESISTOR 56kΩ,1/16W
R4061		NRSA6AJ-473W	MG RESISTOR 47kΩ,1/16W	R5047		NRSA6AJ-0R0W	MG RESISTOR 0Ω,1/16W
△ R4062		NRSA6AJ-102W	MG RESISTOR 1kΩ,1/16W	R5048		NRSA6AJ-563W	MG RESISTOR 56kΩ,1/16W
△ R4063		NRSA6AJ-331W	MG RESISTOR 330Ω,1/16W	R5049		NRSA6AJ-0R0W	MG RESISTOR 0Ω,1/16W
R4064		NRSA6AJ-103W	MG RESISTOR 10kΩ,1/16W	R5050		NRSA6AJ-563W	MG RESISTOR 56kΩ,1/16W
R4065		NRSA6AJ-103W	MG RESISTOR 10kΩ,1/16W	R5051		NRSA6AJ-0R0W	MG RESISTOR 0Ω,1/16W
R4066		NRSA6AJ-103W	MG RESISTOR 10kΩ,1/16W	R5052		NRSA6AJ-272W	MG RESISTOR 2.7kΩ,1/16W
R4067		NRSA6AJ-0R0W	MG RESISTOR 0Ω,1/16W	R5053		NRSA6AJ-0R0W	MG RESISTOR 0Ω,1/16W
R4071		NRSA6AJ-103W	MG RESISTOR 10kΩ,1/16W	R5054		NRSA6AJ-0R0W	MG RESISTOR 0Ω,1/16W
R4072		NRSA6AJ-470W	MG RESISTOR 47Ω,1/16W	R5055		NRSA6AJ-0R0W	MG RESISTOR 0Ω,1/16W
R4073		NRSA6AJ-0R0W	MG RESISTOR 0Ω,1/16W	R5056		NRSA6AJ-0R0W	MG RESISTOR 0Ω,1/16W
R4074		NRSA6AJ-0R0W	MG RESISTOR 0Ω,1/16W	R5060		NRSA6AJ-0R0W	MG RESISTOR 0Ω,1/16W
R4075		NRSA6AJ-103W	MG RESISTOR 10kΩ,1/16W	R5065		NRSA6AJ-0R0W	MG RESISTOR 0Ω,1/16W
R4076		NRSA6AJ-103W	MG RESISTOR 10kΩ,1/16W	R5067		NRSA6AJ-0R0W	MG RESISTOR 0Ω,1/16W
R4078		NRSA6AJ-220W	MG RESISTOR 22Ω,1/16W	R5092		NRSA6AJ-0R0W	MG RESISTOR 0Ω,1/16W
R4079		NRSA6AJ-220W	MG RESISTOR 22Ω,1/16W	R5094		NRSA6AJ-0R0W	MG RESISTOR 0Ω,1/16W
R4080		NRSA6AJ-152W	MG RESISTOR 1.5kΩ,1/16W	R5095		NRSA6AJ-0R0W	MG RESISTOR 0Ω,1/16W
R4081		NRSA6AJ-103W	MG RESISTOR 10kΩ,1/16W	R5096		NRSA6AJ-0R0W	MG RESISTOR 0Ω,1/16W
R4082		NRSA6AJ-105W	MG RESISTOR 1MΩ,1/16W	R5097		NRSA6AJ-0R0W	MG RESISTOR 0Ω,1/16W
R4083		NRSA02J-220X	MG RESISTOR 22Ω,1/10W	R5098		NRSA6AJ-0R0W	MG RESISTOR 0Ω,1/16W
R4084		NRSA02J-220X	MG RESISTOR 22Ω,1/10W	R5154		NRSA6AJ-0R0W	MG RESISTOR 0Ω,1/16W
R4085		NRSA6AJ-102W	MG RESISTOR 1kΩ,1/16W	R5155		NRSA6AJ-0R0W	MG RESISTOR 0Ω,1/16W
R4086		NRSA6AJ-0R0W	MG RESISTOR 0Ω,1/16W	R5158		NRSA6AJ-0R0W	MG RESISTOR 0Ω,1/16W
R4093		NRSA6AJ-0R0W	MG RESISTOR 0Ω,1/16W	R5159		NRSA6AJ-472W	MG RESISTOR 4.7kΩ,1/16W
R4094		NRSA6AJ-0R0W	MG RESISTOR 0Ω,1/16W	R5160		NRSA6AJ-0R0W	MG RESISTOR 0Ω,1/16W
R4095		NRSA6AJ-0R0W	MG RESISTOR 0Ω,1/16W	R5268		NRSA6AJ-0R0W	MG RESISTOR 0Ω,1/16W
R4096		NRSA6AJ-0R0W	MG RESISTOR 0Ω,1/16W	R5501		NRSA6AJ-473W	MG RESISTOR 47kΩ,1/16W
R4097		NRSA6AJ-0R0W	MG RESISTOR 0Ω,1/16W	R5502		NRSA6AJ-563W	MG RESISTOR 56kΩ,1/16W
R4101		NRSA6AJ-0R0W	MG RESISTOR 0Ω,1/16W	R5503		NRSA6AJ-103W	MG RESISTOR 10kΩ,1/16W
R4102		NRSA6AJ-103W	MG RESISTOR 10kΩ,1/16W	R5506		NRSA6AJ-0R0W	MG RESISTOR 0Ω,1/16W
R4103		NRSA6AJ-104W	MG RESISTOR 100kΩ,1/16W	R5510		NRSA6AJ-473W	MG RESISTOR 47kΩ,1/16W

#	△	REF No.	PART No.	PART NAME, DESCRIPTION	#	△	REF No.	PART No.	PART NAME, DESCRIPTION	
R5511			NRSA6AJ-0R0W	MG RESISTOR	0Ω,1/16W	C503		NBE21AM-106X	T CAPACITOR	10μF,10V
R5513			NRSA6AJ-0R0W	MG RESISTOR	0Ω,1/16W	C504		NCFA1AZ-104W	CAPACITOR	0.1μF,10V
R5514			NRSA6AJ-0R0W	MG RESISTOR	0Ω,1/16W	C505		NBE21AM-106X	T CAPACITOR	10μF,10V
R5515			NRSA6AJ-0R0W	MG RESISTOR	0Ω,1/16W	C506		NCFA1AZ-104W	CAPACITOR	0.1μF,10V
R5516			NRSA6AJ-102W	MG RESISTOR	1kΩ,1/16W	C509		NCFA1AZ-104W	CAPACITOR	0.1μF,10V
R5517			NRSA6AJ-473W	MG RESISTOR	47kΩ,1/16W	C510		NCFA1AZ-104W	CAPACITOR	0.1μF,10V
R5520			NRSA6AJ-563W	MG RESISTOR	56kΩ,1/16W	C511		NCFA1AZ-104W	CAPACITOR	0.1μF,10V
R5521			NRSA6AJ-0R0W	MG RESISTOR	0Ω,1/16W	C512		NCFA1AZ-104W	CAPACITOR	0.1μF,10V
R5523			NRSA6AD-471W	MG RESISTOR	470Ω,1/16W	C2001		NCFA1AZ-104W	CAPACITOR	0.1μF,10V
R5524			NRSA6AJ-681W	MG RESISTOR	680Ω,1/16W	C2002		NCFA1AZ-104W	CAPACITOR	0.1μF,10V
R5525			NRSA6AJ-122W	MG RESISTOR	1.2kΩ,1/16W	C2003		NCFA1AZ-104W	CAPACITOR	0.1μF,10V
R5526			NRSA6AD-392W	MG RESISTOR	3.9kΩ,1/16W	C2004		NCFA1AZ-104W	CAPACITOR	0.1μF,10V
R5527			NRSA6AJ-0R0W	MG RESISTOR	0Ω,1/16W	C2005		NCFA1AZ-104W	CAPACITOR	0.1μF,10V
R5528			NRSA6AD-101W	MG RESISTOR	100Ω,1/16W	C2006		NBE90JM-106X	T CAPACITOR	10μF,6.3V
R5529			NRSA6AD-472W	MG RESISTOR	4.7kΩ,1/16W	C2007		NCFA1AZ-104W	CAPACITOR	0.1μF,10V
R5530			NRSA6AD-130W	MG RESISTOR	13Ω,1/16W	C2008		NCFA1AZ-104W	CAPACITOR	0.1μF,10V
R5531			NRSA6AD-131W	MG RESISTOR	130Ω,1/16W	C2009		NCFA1AZ-104W	CAPACITOR	0.1μF,10V
R5532			NRSA6AJ-222W	MG RESISTOR	2.2kΩ,1/16W	C2010		NCFA1AZ-104W	CAPACITOR	0.1μF,10V
R5533			NRSA6AD-470W	MG RESISTOR	47Ω,1/16W	C2011		NCB21CK-473X	CAPACITOR	0.047μF,16V
R5534			NRVA6AD-101W	CMF RESISTOR	100Ω,1/16W	C2012		NCBA1CK-223W	CAPACITOR	0.022μF,16V
R5535			NRSA6AJ-222W	MG RESISTOR	2.2kΩ,1/16W	C2013		NCB21CK-105X	CAPACITOR	1μF,16V
R5537			NRSA6AJ-473W	MG RESISTOR	47kΩ,1/16W	C2017		NBE90JM-106X	T CAPACITOR	10μF,6.3V
R5538			NRSA6AJ-0R0W	MG RESISTOR	0Ω,1/16W	C2501		NBE40JM-476X	T CAPACITOR	47μF,6.3V
R5539			NRSA6AJ-0R0W	MG RESISTOR	0Ω,1/16W	C2503		NCBA1HK-102W	CAPACITOR	0.001μF,50V
R5540			NRSA6AJ-0R0W	MG RESISTOR	0Ω,1/16W	C2504		NDCA1HJ-121W	CAPACITOR	120pF,50V
R5542			NRSA6AJ-0R0W	MG RESISTOR	0Ω,1/16W	C2505		NCB31CK-104X	CAPACITOR	0.1μF,16V
R5543			NRSA6AJ-0R0W	MG RESISTOR	0Ω,1/16W	C2506		NDCA1HJ-151W	CAPACITOR	150pF,50V
R5544			NRSA6AJ-473W	MG RESISTOR	47kΩ,1/16W	C2507		NBE90JM-475X	T CAPACITOR	4.7μF,6.3V
R5548			NRSA6AJ-0R0W	MG RESISTOR	0Ω,1/16W	C2508		NCB31CK-104X	CAPACITOR	0.1μF,16V
R5550			NRSA6AJ-0R0W	MG RESISTOR	0Ω,1/16W	C2509		NBE90JM-106X	T CAPACITOR	10μF,6.3V
R6603			NRSA63J-822X	MG RESISTOR	8.2kΩ,1/16W	C2510		NBE40JM-476X	T CAPACITOR	47μF,6.3V
R6609			NRSA63J-683X	MG RESISTOR	68kΩ,1/16W	C2601		NCB31CK-104X	CAPACITOR	0.1μF,16V
R6610			NRSA63J-104X	MG RESISTOR	100kΩ,1/16W	C2602		NCB31CK-104X	CAPACITOR	0.1μF,16V
R6612			NRSA63J-333X	MG RESISTOR	33kΩ,1/16W	C2603		NCBA1HK-222W	CAPACITOR	0.0022μF,50V
R6613			NRSA63J-335X	MG RESISTOR	3.3MΩ,1/16W	C2604		NCBA1HK-222W	CAPACITOR	0.0022μF,50V
R6617			NRSA63J-684X	MG RESISTOR	680kΩ,1/16W	C2605		NBE90JM-106X	T CAPACITOR	10μF,6.3V
R6621			NRSA63J-184X	MG RESISTOR	180kΩ,1/16W	C2606		NCB31CK-104X	CAPACITOR	0.1μF,16V
R6622			NRSA63J-823X	MG RESISTOR	82kΩ,1/16W	C2607		NCB31CK-104X	CAPACITOR	0.1μF,16V
R6623			NRSA63J-473X	MG RESISTOR	47kΩ,1/16W	C2608		NBE90JM-106X	T CAPACITOR	10μF,6.3V
R6625			NRSA63J-473X	MG RESISTOR	47kΩ,1/16W	C3001		NCFA1AZ-104W	CAPACITOR	0.1μF,10V
R6626			NRSA63J-474X	MG RESISTOR	470kΩ,1/16W	C3002		NCFA1AZ-104W	CAPACITOR	0.1μF,10V
RA2001			NRZ0034-100W	NET RESISTOR		C3003		NCFA1AZ-104W	CAPACITOR	0.1μF,10V
RA2002			NRZ0034-100W	NET RESISTOR		C3004		NCFA1AZ-104W	CAPACITOR	0.1μF,10V
RA5024			NRZ0034-0R0W	NET RESISTOR		C3005		NCFA1AZ-104W	CAPACITOR	0.1μF,10V
RA5025			NRZ0034-0R0W	NET RESISTOR		C3006		NCFA1AZ-104W	CAPACITOR	0.1μF,10V
RA5026			NRZ0034-0R0W	NET RESISTOR		C3007		NCFA1AZ-104W	CAPACITOR	0.1μF,10V
RA5027			NRZ0034-0R0W	NET RESISTOR		C3008		NCFA1AZ-104W	CAPACITOR	0.1μF,10V
RA5028			NRZ0034-0R0W	NET RESISTOR		C3009		NCFA1AZ-104W	CAPACITOR	0.1μF,10V
RA5029			NRZ0034-0R0W	NET RESISTOR		C3010		NCFA1AZ-104W	CAPACITOR	0.1μF,10V
C402			NBE90JM-106X	T CAPACITOR	10μF,6.3V	C3011		NCFA1AZ-104W	CAPACITOR	0.1μF,10V
C403			NCFA1AZ-104W	CAPACITOR	0.1μF,10V	C3012		NCFA1AZ-104W	CAPACITOR	0.1μF,10V
C410			NCBA1CK-103W	CAPACITOR	0.01μF,16V	C3013		NCFA1AZ-104W	CAPACITOR	0.1μF,10V
C411			NCFA1AZ-104W	CAPACITOR	0.1μF,10V	C3014		NCFA1AZ-104W	CAPACITOR	0.1μF,10V
C414			NCFA1AZ-104W	CAPACITOR	0.1μF,10V	C3015		NCFA1AZ-104W	CAPACITOR	0.1μF,10V
C416			NCFA1AZ-104W	CAPACITOR	0.1μF,10V	C3016		NCFA1AZ-104W	CAPACITOR	0.1μF,10V
C418			NCB21AK-105X	CAPACITOR	1μF,10V	C3017		NCFA1AZ-104W	CAPACITOR	0.1μF,10V
C419			NCB21AK-105X	CAPACITOR	1μF,10V	C3018		NCFA1AZ-104W	CAPACITOR	0.1μF,10V
C421			NCBA1CK-103W	CAPACITOR	0.01μF,16V	C3019		NCFA1AZ-104W	CAPACITOR	0.1μF,10V
C425			NCFA1AZ-104W	CAPACITOR	0.1μF,10V	C3020		NCFA1AZ-104W	CAPACITOR	0.1μF,10V
C501			NBE90JM-106X	T CAPACITOR	10μF,6.3V	C3021		NCFA1AZ-104W	CAPACITOR	0.1μF,10V
C502			NCFA1AZ-104W	CAPACITOR	0.1μF,10V	C3022		NCFA1AZ-104W	CAPACITOR	0.1μF,10V

#	△ REF No.	PART No.	PART NAME, DESCRIPTION	#	△ REF No.	PART No.	PART NAME, DESCRIPTION
C3023		NCFA1AZ-104W	CAPACITOR 0.1μF,10V	C4509		NCFA1AZ-104W	CAPACITOR 0.1μF,10V
C3024		NCFA1AZ-104W	CAPACITOR 0.1μF,10V	C4511		NBE90JM-106X	T CAPACITOR 10μF,6.3V
C3025		NCFA1AZ-104W	CAPACITOR 0.1μF,10V	C5001		NBE90JM-106X	T CAPACITOR 10μF,6.3V
C3026		NBE90JM-106X	T CAPACITOR 10μF,6.3V	C5002		NCFA1AZ-104W	CAPACITOR 0.1μF,10V
C3027		NCFA1AZ-104W	CAPACITOR 0.1μF,10V	C5003		NBE90JM-106X	T CAPACITOR 10μF,6.3V
C3028		NCFA1AZ-104W	CAPACITOR 0.1μF,10V	C5004		NCFA1AZ-104W	CAPACITOR 0.1μF,10V
C3029		NBE90JM-106X	T CAPACITOR 10μF,6.3V	C5005		NBE90JM-106X	T CAPACITOR 10μF,6.3V
C3030		NCFA1AZ-104W	CAPACITOR 0.1μF,10V	C5006		NCFA1AZ-104W	CAPACITOR 0.1μF,10V
C3031		NCFA1AZ-104W	CAPACITOR 0.1μF,10V	C5007		NCFA1AZ-104W	CAPACITOR 0.1μF,10V
C3032		NCFA1AZ-104W	CAPACITOR 0.1μF,10V	C5013		NCFA1AZ-104W	CAPACITOR 0.1μF,10V
C3033		NCFA1AZ-104W	CAPACITOR 0.1μF,10V	C5014		NCFA1AZ-104W	CAPACITOR 0.1μF,10V
C3034		NCFA1AZ-104W	CAPACITOR 0.1μF,10V	C5015		NCFA1AZ-104W	CAPACITOR 0.1μF,10V
C3035		NCFA1AZ-104W	CAPACITOR 0.1μF,10V	C5016		NCFA1AZ-104W	CAPACITOR 0.1μF,10V
C3036		NCFA1AZ-104W	CAPACITOR 0.1μF,10V	C5017		NCFA1AZ-104W	CAPACITOR 0.1μF,10V
C3037		NCFA1AZ-104W	CAPACITOR 0.1μF,10V	C5021		NBE90JM-106X	T CAPACITOR 10μF,6.3V
C3038		NCFA1AZ-104W	CAPACITOR 0.1μF,10V	C5022		NCFA1AZ-104W	CAPACITOR 0.1μF,10V
C3039		NCFA1AZ-104W	CAPACITOR 0.1μF,10V	C5023		NCFA1AZ-104W	CAPACITOR 0.1μF,10V
C3040		NCFA1AZ-104W	CAPACITOR 0.1μF,10V	C5501		NBE90JM-106X	T CAPACITOR 10μF,6.3V
C3041		NCFA1AZ-104W	CAPACITOR 0.1μF,10V	C5502		NCFA1AZ-104W	CAPACITOR 0.1μF,10V
C3042		NBE90JM-106X	T CAPACITOR 10μF,6.3V	C5503		NDCA1HJ-100W	CAPACITOR 10pF,50V
C3043		NBE90JM-106X	T CAPACITOR 10μF,6.3V	C5505		NCFA1AZ-104W	CAPACITOR 0.1μF,10V
C3045		NDCA1HJ-101W	CAPACITOR 100pF,50V	C5506		NCFA1AZ-104W	CAPACITOR 0.1μF,10V
C3501		NBE90JM-106X	T CAPACITOR 10μF,6.3V	C5511		NBE90JM-106X	T CAPACITOR 10μF,6.3V
C3502		NCFA1AZ-104W	CAPACITOR 0.1μF,10V	C5512		NCFA1AZ-104W	CAPACITOR 0.1μF,10V
C3503		NBE90JM-106X	T CAPACITOR 10μF,6.3V	C5513		NCFA1AZ-104W	CAPACITOR 0.1μF,10V
C3504		NCFA1AZ-104W	CAPACITOR 0.1μF,10V	C5514		NBE90JM-106X	T CAPACITOR 10μF,6.3V
C3511		NCFA1AZ-104W	CAPACITOR 0.1μF,10V	C5515		NBE90JM-106X	T CAPACITOR 10μF,6.3V
C3518		NCFA1AZ-104W	CAPACITOR 0.1μF,10V	C5516		NCFA1AZ-104W	CAPACITOR 0.1μF,10V
C3525		NCFA1AZ-104W	CAPACITOR 0.1μF,10V	C5517		NCFA1AZ-104W	CAPACITOR 0.1μF,10V
C3526		NBE90JM-106X	T CAPACITOR 10μF,6.3V	C5518		NBE90JM-106X	T CAPACITOR 10μF,6.3V
C3527		NBE90JM-106X	T CAPACITOR 10μF,6.3V	C5519		NCFA1AZ-104W	CAPACITOR 0.1μF,10V
C3528		NCFA1AZ-104W	CAPACITOR 0.1μF,10V	C5520		NCBA1CK-103W	CAPACITOR 0.01μF,16V
C3529		NCFA1AZ-104W	CAPACITOR 0.1μF,10V	C5521		NCBA1CK-103W	CAPACITOR 0.01μF,16V
C3530		NCFA1AZ-104W	CAPACITOR 0.1μF,10V	C5522		NCBA1CK-103W	CAPACITOR 0.01μF,16V
C4001		NCBA1CK-103W	CAPACITOR 0.01μF,16V	C5523		NCBA1CK-103W	CAPACITOR 0.01μF,16V
C4002		NCBA1CK-103W	CAPACITOR 0.01μF,16V	C5524		NCBA1CK-103W	CAPACITOR 0.01μF,16V
C4003		NBE90JM-106X	T CAPACITOR 10μF,6.3V	C5525		NCBA1CK-103W	CAPACITOR 0.01μF,16V
C4011		NCBA1CK-103W	CAPACITOR 0.01μF,16V	C5526		NCBA1CK-103W	CAPACITOR 0.01μF,16V
C4012		NDCA1HJ-100W	CAPACITOR 10pF,50V	C5527		NCBA1CK-103W	CAPACITOR 0.01μF,16V
C4013		NCBA1CK-103W	CAPACITOR 0.01μF,16V	C5528		NCBA1CK-103W	CAPACITOR 0.01μF,16V
C4015		NCBA1CK-103W	CAPACITOR 0.01μF,16V	C5529		NCBA1CK-103W	CAPACITOR 0.01μF,16V
C4016		NCBA1CK-103W	CAPACITOR 0.01μF,16V	C5530		NCBA1CK-103W	CAPACITOR 0.01μF,16V
C4017		NCFA1AZ-104W	CAPACITOR 0.1μF,10V	C5531		NCBA1CK-103W	CAPACITOR 0.01μF,16V
C4018		NCBA1CK-103W	CAPACITOR 0.01μF,16V	C5532		NCBA1CK-103W	CAPACITOR 0.01μF,16V
C4021		NBE90JM-106X	T CAPACITOR 10μF,6.3V	C5533		NCBA1CK-103W	CAPACITOR 0.01μF,16V
C4022		NCBA1CK-103W	CAPACITOR 0.01μF,16V	C5534		NCBA1CK-103W	CAPACITOR 0.01μF,16V
C4027		NCBA1AK-473W	CAPACITOR 0.047μF,10V	C5535		NCBA1CK-103W	CAPACITOR 0.01μF,16V
C4028		NCFA1AZ-104W	CAPACITOR 0.1μF,10V	C5536		NCBA1CK-103W	CAPACITOR 0.01μF,16V
C4029		NCFA1AZ-104W	CAPACITOR 0.1μF,10V	C5537		NCBA1CK-103W	CAPACITOR 0.01μF,16V
C4030		NBE21AM-106X	T CAPACITOR 10μF,10V	C5538		NCBA1CK-103W	CAPACITOR 0.01μF,16V
C4101		NCFA1AZ-104W	CAPACITOR 0.1μF,10V	C5539		NCBA1CK-103W	CAPACITOR 0.01μF,16V
C4102		NCFA1AZ-104W	CAPACITOR 0.1μF,10V	C5540		NCBA1CK-103W	CAPACITOR 0.01μF,16V
C4103		NCBA1CK-103W	CAPACITOR 0.01μF,16V	C5541		NCFA1AZ-104W	CAPACITOR 0.1μF,10V
C4501		NBE90JM-106X	T CAPACITOR 10μF,6.3V	C5542		NBE90JM-106X	T CAPACITOR 10μF,6.3V
C4502		NCFA1AZ-104W	CAPACITOR 0.1μF,10V	C5543		NCFA1AZ-104W	CAPACITOR 0.1μF,10V
C4503		NCFA1AZ-104W	CAPACITOR 0.1μF,10V	C5544		NCFA1AZ-104W	CAPACITOR 0.1μF,10V
C4504		NCFA1AZ-104W	CAPACITOR 0.1μF,10V	C5545		NCFA1AZ-104W	CAPACITOR 0.1μF,10V
C4505		NCFA1AZ-104W	CAPACITOR 0.1μF,10V	C5546		NCFA1AZ-104W	CAPACITOR 0.1μF,10V
C4506		NCFA1AZ-104W	CAPACITOR 0.1μF,10V	C5547		NCFA1AZ-104W	CAPACITOR 0.1μF,10V
C4507		NCFA1AZ-104W	CAPACITOR 0.1μF,10V	C5548		NCFA1AZ-104W	CAPACITOR 0.1μF,10V
C4508		NCFA1AZ-104W	CAPACITOR 0.1μF,10V	C5549		NCFA1AZ-104W	CAPACITOR 0.1μF,10V





#	△ REF No.	PART No.	PART NAME, DESCRIPTION
C1004		NCFA1AZ-104W	CAPACITOR 0.1μF,10V
C1005		NBM90JM-106X	T CAPACITOR 10μF,6.3V
C1006		NCFA1AZ-104W	CAPACITOR 0.1μF,10V
C1007		NCFA1AZ-104W	CAPACITOR 0.1μF,10V
C1008		NBP41VM-225X	T CAPACITOR 2.2μF,35V
C1009		NCFA1AZ-104W	CAPACITOR 0.1μF,10V
C1010		NCB31HK-222X	CAPACITOR 0.0022μF,50V
C1011		NCFA1AZ-104W	CAPACITOR 0.1μF,10V
C1012		NCFA1AZ-104W	CAPACITOR 0.1μF,10V
C1013		NCFA1AZ-104W	CAPACITOR 0.1μF,10V
C1014		NCFA1AZ-104W	CAPACITOR 0.1μF,10V
C1015		NCFA1AZ-104W	CAPACITOR 0.1μF,10V
C1016		NCFA1AZ-104W	CAPACITOR 0.1μF,10V
C1017		NCFA1AZ-104W	CAPACITOR 0.1μF,10V
C1018		NCFA1AZ-104W	CAPACITOR 0.1μF,10V
C1019		NBP21EM-105X	T CAPACITOR 1μF,25V
C1020		NCFA1AZ-104W	CAPACITOR 0.1μF,10V
C1021		NBM90JM-106X	T CAPACITOR 10μF,6.3V
C1022		NBP41CM-106X	T CAPACITOR 10μF,16V
C1024		NCFA1AZ-104W	CAPACITOR 0.1μF,10V
C1027		NCFA1AZ-104W	CAPACITOR 0.1μF,10V
C1028		NBE90JM-106X	T CAPACITOR 10μF,6.3V
C1029		NCFA1AZ-104W	CAPACITOR 0.1μF,10V
L1001		NQR0129-002X	FERRATE BEADS
L1002		NQL045K-100X	COIL 10μH
L1003		NQR0129-002X	FERRATE BEADS
L1004		NQL045K-100X	COIL 10μH
L1005		NQR0129-002X	FERRATE BEADS
L1006		NQL045K-100X	COIL 10μH
L1008		NQL045K-100X	COIL 10μH
L1009		NQR0129-002X	FERRATE BEADS
CN1001		QGF0507F1-28X	CONNECTOR,(1-28)MAIN

#	△ REF No.	PART No.	PART NAME, DESCRIPTION
Q9301		CPH6303	MOS FET
Q9302		CPH6401	MOS FET
Q9303		CPH6303	MOS FET
Q9304		2SA1774/QR/-X	TRANSISTOR
Q9305		2SC4617/QR/-X	TRANSISTOR
Q9306		CPH6401	MOS FET
Q9307		RN1104FT	TRANSISTOR
Q9402		CPH6301	MOS FET
Q9404		CPH3303	MOS FET
D7301		UDZ2.7B	ZENER DIODE
D7302		MA365	VARI CAP DIODE
D9201		1SS357	SB DIODE
D9202		SBE002	SB DIODE
D9203		1SS357	SB DIODE
D9204		1SS357	SB DIODE
D9205		CRS06	SB DIODE
D9301		CRS06	SB DIODE
D9302		1SS355	DIODE
D9303		1SS355	DIODE
D9306		CRS06	SB DIODE
D9401		CRS06	SB DIODE
D9402		1SS357	SB DIODE
D9404		SBS006	SB DIODE
R7202		NRVA6AD-911W	CMF RESISTOR 910Ω,1/16W
R7203		NRVA6AD-183W	CMF RESISTOR 18kΩ,1/16W
R7204		NRVA6AD-222W	CMF RESISTOR 2.2kΩ,1/16W
R7205		NRSA6AJ-0R0W	MG RESISTOR 0Ω,1/16W
R7206		NRSA6AJ-0R0W	MG RESISTOR 0Ω,1/16W
R7301		NRSA6AJ-102W	MG RESISTOR 1kΩ,1/16W
R7302		NRVA6AD-333W	CMF RESISTOR 33kΩ,1/16W
R7303		NRSA6AJ-0R0W	MG RESISTOR 0Ω,1/16W
R7304		NRSA6AJ-0R0W	MG RESISTOR 0Ω,1/16W
R7305		NRSA6AJ-0R0W	MG RESISTOR 0Ω,1/16W
R7306		NRVA6AD-153W	CMF RESISTOR 15kΩ,1/16W
R7307		NRVA6AD-183W	CMF RESISTOR 18kΩ,1/16W
R7308		NRVA6AD-223W	CMF RESISTOR 22kΩ,1/16W
R7309		NRSA6AJ-100W	MG RESISTOR 10Ω,1/16W
R7310		NRSA6AJ-100W	MG RESISTOR 10Ω,1/16W
R7311		NRSA6AJ-100W	MG RESISTOR 10Ω,1/16W
R7312		NRSA6AJ-100W	MG RESISTOR 10Ω,1/16W
R7313		NRSA6AJ-271W	MG RESISTOR 270Ω,1/16W
R7315		NRSA6AJ-0R0W	MG RESISTOR 0Ω,1/16W
R7316		NRSA6AJ-0R0W	MG RESISTOR 0Ω,1/16W
R7318		NRSA6AJ-223W	MG RESISTOR 22kΩ,1/16W
R7319		NRSA6AJ-223W	MG RESISTOR 22kΩ,1/16W
R7321		NRSA6AJ-103W	MG RESISTOR 10kΩ,1/16W
R7322		NRSA6AJ-102W	MG RESISTOR 1kΩ,1/16W
R7323		NRSA6AJ-103W	MG RESISTOR 10kΩ,1/16W
R7324		NRVA6AD-331W	CMF RESISTOR 330Ω,1/16W
R7325		NRSA6AJ-333W	MG RESISTOR 33kΩ,1/16W
R7327		NRSA6AJ-0R0W	MG RESISTOR 0Ω,1/16W
R7329		NRSA6AJ-0R0W	MG RESISTOR 0Ω,1/16W
R7330		NRSA6AJ-103W	MG RESISTOR 10kΩ,1/16W
R7331		NRSA6AJ-472W	MG RESISTOR 4.7kΩ,1/16W
R7332		NRVA6AD-103W	CMF RESISTOR 10kΩ,1/16W
R7333		NRVA6AD-332W	CMF RESISTOR 3.3kΩ,1/16W
R7335		NRSA6AJ-472W	MG RESISTOR 4.7kΩ,1/16W
R7340		NRSA6AJ-274W	MG RESISTOR 270kΩ,1/16W
R7341		NRSA6AJ-104W	MG RESISTOR 100kΩ,1/16W
R7342		NRSA6AJ-104W	MG RESISTOR 100kΩ,1/16W
R7345		NRSA6AJ-224W	MG RESISTOR 220kΩ,1/16W

\*\*\*\*\*

**MONI REG BOARD ASSEMBLY <03>**

PW4	YB10300E4-02	MON REG BOARD ASSY
IC7202	TK11900M	IC
IC7301	TA75S01F	IC
IC7302	CXA3268AR-B	IC
IC9001	S-80824ANNP-W	IC
IC9101	FA3676F	IC
Q7301	DTC144EE	TRANSISTOR
Q7302	2SA1774/QR/-X	TRANSISTOR
Q7303	2SA1577/QR/-X	TRANSISTOR
Q7304	UMZ1N	PAIR TRANSISTOR
Q7305	UMZ1N	PAIR TRANSISTOR
Q9002	2SK1830	MOS FET
Q9003	RN1104FT	TRANSISTOR
Q9004	2SK1830	MOS FET
Q9005	2SJ501	MOS FET
Q9006	RN1104FT	TRANSISTOR
Q9201	CPH3303	MOS FET
Q9205	HN1A01FU/G/-X	PAIR TRANSISTOR
Q9206	2SC4097/QR/-X	TRANSISTOR
Q9207	CPH6301	MOS FET
Q9208	CPH6401	MOS FET

#	△	REF No.	PART No.	PART NAME, DESCRIPTION	#	△	REF No.	PART No.	PART NAME, DESCRIPTION	
R7346			NRSA6AJ-682W	MG RESISTOR	6.8kΩ,1/16W	C7205		NBP41DM-106X	T CAPACITOR	10μF,20V
R7347			NRSA6AJ-0R0W	MG RESISTOR	0Ω,1/16W	C7208		NBE20JM-106X	T CAPACITOR	10μF,6.3V
R7348			NRSA6AJ-0R0W	MG RESISTOR	0Ω,1/16W	C7301		NBE20JM-106X	T CAPACITOR	10μF,6.3V
R7350			NRSA6AJ-103W	MG RESISTOR	10kΩ,1/16W	C7302		NBE20JM-226X	T CAPACITOR	22μF,6.3V
R7358			NRSA6AJ-0R0W	MG RESISTOR	0Ω,1/16W	C7303		NCBA1AK-104W	CAPACITOR	0.1μF,10V
R7359			NRSA63J-0R0X	MG RESISTOR	0Ω,1/16W	C7304		NCBA1CK-103W	CAPACITOR	0.01μF,16V
R7361			NRSA6AJ-0R0W	MG RESISTOR	0Ω,1/16W	C7305		NCBA1CK-103W	CAPACITOR	0.01μF,16V
R7362			NRSA6AJ-0R0W	MG RESISTOR	0Ω,1/16W	C7306		NCB21AK-105X	CAPACITOR	1μF,10V
R9001			NRVA6AD-302W	CMF RESISTOR	3kΩ,1/16W	C7307		NCB21AK-105X	CAPACITOR	1μF,10V
R9005			NRSA6AJ-104W	MG RESISTOR	100kΩ,1/16W	C7308		NCB21AK-105X	CAPACITOR	1μF,10V
R9006			NRSA6AJ-104W	MG RESISTOR	100kΩ,1/16W	C7309		NBP41CM-106X	T CAPACITOR	10μF,16V
R9007			NRSA6AJ-104W	MG RESISTOR	100kΩ,1/16W	C7310		NBP41DM-106X	T CAPACITOR	10μF,20V
R9009			NRSA6AJ-104W	MG RESISTOR	100kΩ,1/16W	C7311		NCB31CK-104X	CAPACITOR	0.1μF,16V
R9010			NRSA6AJ-102W	MG RESISTOR	1kΩ,1/16W	C7312		NCB21AK-105X	CAPACITOR	1μF,10V
R9011			NRSA6AJ-473W	MG RESISTOR	47kΩ,1/16W	C7313		NBP41DM-106X	T CAPACITOR	10μF,20V
R9018			NRSA63J-0R0X	MG RESISTOR	0Ω,1/16W	C7314		NCB31CK-104X	CAPACITOR	0.1μF,16V
R9103			NRSA6AJ-104W	MG RESISTOR	100kΩ,1/16W	C7315		NBE20JM-226X	T CAPACITOR	22μF,6.3V
R9104			NRSA6AJ-753W	MG RESISTOR	75kΩ,1/16W	C7316		NCBA1AK-104W	CAPACITOR	0.1μF,10V
R9105			NRSA6AJ-0R0W	MG RESISTOR	0Ω,1/16W	C7317		NCB30JK-105X	CAPACITOR	1μF,6.3V
R9107			NRSA6AJ-104W	MG RESISTOR	100kΩ,1/16W	C7318		NCBA1AK-104W	CAPACITOR	0.1μF,10V
R9108			NRSA6AJ-223W	MG RESISTOR	22kΩ,1/16W	C7319		NCBA1AK-104W	CAPACITOR	0.1μF,10V
R9109			NRSA6AJ-223W	MG RESISTOR	22kΩ,1/16W	C7320		NCBA1AK-104W	CAPACITOR	0.1μF,10V
R9110			NRVA6AD-153W	CMF RESISTOR	15kΩ,1/16W	C7321		NDC31HJ-300X	CAPACITOR	30pF,50V
R9111			NRVA6AD-472W	CMF RESISTOR	4.7kΩ,1/16W	C7322		NCB31HK-102X	CAPACITOR	0.001μF,50V
R9201			NRVA6AD-103W	CMF RESISTOR	10kΩ,1/16W	C7323		NCBA1CK-103W	CAPACITOR	0.01μF,16V
R9202			NRSA6AJ-4R7W	MG RESISTOR	4.7Ω,1/16W	C7324		NCBA1EK-682W	CAPACITOR	0.0068μF,25V
R9203			NRVA6AD-623W	CMF RESISTOR	62kΩ,1/16W	C7325		NBP21CM-335X	T CAPACITOR	3.3μF,16V
R9205			NRVA6AD-392W	CMF RESISTOR	3.9kΩ,1/16W	C7330		NBE20JM-226X	T CAPACITOR	22μF,6.3V
R9206			NRVA6AD-683W	CMF RESISTOR	68kΩ,1/16W	C7331		NCBA1AK-104W	CAPACITOR	0.1μF,10V
R9207			NRSA6AJ-274W	MG RESISTOR	270kΩ,1/16W	C7332		NCB21AK-105X	CAPACITOR	1μF,10V
R9210			NRVA6AD-202W	CMF RESISTOR	2kΩ,1/16W	C7335		NBE21AM-106X	T CAPACITOR	10μF,10V
R9212			NRVA6AD-273W	CMF RESISTOR	27kΩ,1/16W	C7336		NCB31CK-104X	CAPACITOR	0.1μF,16V
R9213			NRSA6AJ-102W	MG RESISTOR	1kΩ,1/16W	C7337		NCB21AK-105X	CAPACITOR	1μF,10V
R9214			NRSA6AJ-241W	MG RESISTOR	240Ω,1/16W	C7338		NCB11CK-105X	CAPACITOR	1μF,16V
R9215			NRSA63J-0R0X	MG RESISTOR	0Ω,1/16W	C7339		NCB31CK-104X	CAPACITOR	0.1μF,16V
R9216			NRSA6AJ-4R7W	MG RESISTOR	4.7Ω,1/16W	C7345		NBP41DM-106X	T CAPACITOR	10μF,20V
R9217			NRSA6AJ-4R7W	MG RESISTOR	4.7Ω,1/16W	C9002		NCB31EK-103X	CAPACITOR	0.01μF,25V
R9218			NRVA6AD-153W	CMF RESISTOR	15kΩ,1/16W	C9003		NCB31CK-104X	CAPACITOR	0.1μF,16V
R9219			NRVA6AD-103W	CMF RESISTOR	10kΩ,1/16W	C9101		NCB21CK-105X	CAPACITOR	1μF,16V
R9301			NRSA6AJ-105W	MG RESISTOR	1MΩ,1/16W	C9102		NBE41AM-106X	T CAPACITOR	10μF,10V
R9302			NRSA6AJ-472W	MG RESISTOR	4.7kΩ,1/16W	C9103		NCB21CK-105X	CAPACITOR	1μF,16V
R9303			NRSA6AJ-473W	MG RESISTOR	47kΩ,1/16W	C9104		NBE41AM-106X	T CAPACITOR	10μF,10V
R9304			NRSA6AJ-185W	MG RESISTOR	1.8MΩ,1/16W	C9105		NCB21CK-105X	CAPACITOR	1μF,16V
R9305			NRVA6AD-623W	CMF RESISTOR	62kΩ,1/16W	C9107		NCB21CK-105X	CAPACITOR	1μF,16V
R9306			NRVA6AD-123W	CMF RESISTOR	12kΩ,1/16W	C9108		NCB31EK-103X	CAPACITOR	0.01μF,25V
R9308			NRSA6AJ-473W	MG RESISTOR	47kΩ,1/16W	C9109		NCB21CK-105X	CAPACITOR	1μF,16V
R9309			NRSA6AJ-473W	MG RESISTOR	47kΩ,1/16W	C9110		NCB21CK-105X	CAPACITOR	1μF,16V
R9310			NRSA6AJ-4R7W	MG RESISTOR	4.7Ω,1/16W	C9111		NCB31EK-473X	CAPACITOR	0.047μF,25V
R9311			NRVA6AD-393W	CMF RESISTOR	39kΩ,1/16W	C9112		NCB31CK-104X	CAPACITOR	0.1μF,16V
R9312			NRVA6AD-103W	CMF RESISTOR	10kΩ,1/16W	C9113		NCB31CK-104X	CAPACITOR	0.1μF,16V
R9315			NRSA6AJ-4R7W	MG RESISTOR	4.7Ω,1/16W	C9114		NCB21CK-105X	CAPACITOR	1μF,16V
R9316			NRSA6AJ-473W	MG RESISTOR	47kΩ,1/16W	C9115		NCB21CK-105X	CAPACITOR	1μF,16V
R9401			NRSA6AJ-4R7W	MG RESISTOR	4.7Ω,1/16W	C9116		NDCA1HJ-101W	CAPACITOR	100pF,50V
R9402			NRVA6AD-223W	CMF RESISTOR	22kΩ,1/16W	C9117		NCBA1HK-332W	CAPACITOR	0.0033μF,50V
R9403			NRVA6AD-103W	CMF RESISTOR	10kΩ,1/16W	C9119		NCBA1EK-682W	CAPACITOR	0.0068μF,25V
R9405			NRSA6AJ-4R7W	MG RESISTOR	4.7Ω,1/16W	C9120		NCBA1EK-682W	CAPACITOR	0.0068μF,25V
R9408			NRSA6AJ-4R7W	MG RESISTOR	4.7Ω,1/16W	C9121		NCB31EK-103X	CAPACITOR	0.01μF,25V
R9409			NRVA6AD-203W	CMF RESISTOR	20kΩ,1/16W	C9122		NCBA1EK-682W	CAPACITOR	0.0068μF,25V
R9410			NRVA6AD-103W	CMF RESISTOR	10kΩ,1/16W	C9123		NCBA1EK-682W	CAPACITOR	0.0068μF,25V
C7203			NCB11CK-105X	CAPACITOR	1μF,16V	C9201		NCB21CK-105X	CAPACITOR	1μF,16V
C7204			NCBA1CK-103W	CAPACITOR	0.01μF,16V	C9202		NCB21CK-105X	CAPACITOR	1μF,16V

#	△ REF No.	PART No.	PART NAME, DESCRIPTION	
C9203		NCB21CK-105X	CAPACITOR	1μF,16V
C9204		NCBA1HK-152W	CAPACITOR	0.0015μF,50V
C9205		NCB21CK-105X	CAPACITOR	1μF,16V
C9208		NCB11EK-105X	CAPACITOR	1μF,25V
C9209		NCB21CK-105X	CAPACITOR	1μF,16V
C9210		NCB21CK-105X	CAPACITOR	1μF,16V
C9213		NCB21CK-105X	CAPACITOR	1μF,16V
C9214		NCB10JK-106X	CAPACITOR	10μF,6.3V
C9215		NCBA1HK-222W	CAPACITOR	0.0022μF,50V
C9216		NCB11CK-475X	CAPACITOR	4.7μF,16V
C9301		NCB21CK-105X	CAPACITOR	1μF,16V
C9302		NDCA1HJ-330W	CAPACITOR	33pF,50V
C9303		NDCA1HJ-330W	CAPACITOR	33pF,50V
C9304		NCB11AK-475X	CAPACITOR	4.7μF,10V
C9305		NCBA1EK-472W	CAPACITOR	0.0047μF,25V
C9307		NCB21CK-105X	CAPACITOR	1μF,16V
C9308		NBE41AM-476X	T CAPACITOR	47μF,10V
C9309		NBE41AM-476X	T CAPACITOR	47μF,10V
C9310		NCB21CK-105X	CAPACITOR	1μF,16V
C9311		NCB10JK-106X	CAPACITOR	10μF,6.3V
C9312		NCBA1HK-102W	CAPACITOR	0.001μF,50V
C9314		NCB11AK-225X-A	CAPACITOR	2.2μF,10V
C9315		NCB21CK-105X	CAPACITOR	1μF,16V
C9316		NBE41AM-476X	T CAPACITOR	47μF,10V
C9401		NCB21CK-105X	CAPACITOR	1μF,16V
C9402		NCB11AK-475X	CAPACITOR	4.7μF,10V
C9403		NCB10JK-106X	CAPACITOR	10μF,6.3V
C9404		NCBA1HK-102W	CAPACITOR	0.001μF,50V
C9406		NCB21CK-105X	CAPACITOR	1μF,16V
C9407		NCB21CK-105X	CAPACITOR	1μF,16V
C9408		NCB21CK-105X	CAPACITOR	1μF,16V
C9409		NCB21CK-105X	CAPACITOR	1μF,16V
C9410		NCB11AK-225X-A	CAPACITOR	2.2μF,10V
C9411		NCB11AK-335X	CAPACITOR	3.3μF,10V
C9412		NCBA1HK-332W	CAPACITOR	0.0033μF,50V
C9414		NCB21CK-105X	CAPACITOR	1μF,16V
C9416		NBE41AM-476X	T CAPACITOR	47μF,10V
L7203		NQL144K-100X	COIL	10μH
L7204		NQL144K-100X	COIL	10μH
L7301		NQL085J-3R3X	COIL	3.3μH
L7302		NQL144K-220X	COIL	22μH
L9101		NQL48CM-4R7X	COIL	4.7μH
L9102		NQL48CM-4R7X	COIL	4.7μH
L9103		NQL48CM-100X	COIL	10μH
L9201		NQL49CM-101X	COIL	100μH
L9202		NQL044K-470X	COIL	47μH
L9204		NQL49CM-220X	COIL	22μH
L9301		NQL49CM-390X	COIL	39μH
L9302		NQL32CM-100X	COIL	10μH
L9303		NQL49CM-100X	COIL	10μH
L9304		NQL32CM-100X	COIL	10μH
L9305		NQL315K-100X	COIL	10μH
L9401		NQL48CM-150X	COIL	15μH
L9402		NQL32CM-220X	COIL	22μH
L9403		NQL32CM-100X	COIL	10μH
L9404		NQL32CM-101X	COIL	100μH
L9405		NQL32CM-101X	COIL	100μH
L9406		NQL315K-100X	COIL	10μH
L9407		NQL315K-100X	COIL	10μH
J9001		QUB220-09A3A3	WIRE,JACK TP2	
J9002		QUB222-09A3A3	WIRE,JACK TP1	

#	△ REF No.	PART No.	PART NAME, DESCRIPTION	
CN9001		QGB0509L1-80X	CONNECTOR,(1-80)MAIN	
△ F9001		NMFZ010-1R0X-A	FUSE	T1.0A
△ F9101		NMFZ010-2R0X-A	FUSE	T2.0A
△ F9102		NMFZ010-2R0X-A	FUSE	T2.0A
△ F9103		NMFZ010-1R6X-A	FUSE	T1.6A
OT1		LY42505-001A	SEELD SHEET(REG)	

\*\*\*\*\*

**JACK BOARD ASSEMBLY <04>**

PW2	YB10300E2-02	JACK BOARD ASSY	
IC101	TC7W53FU	IC(DIGITAL)	
IC102	TC7WH34FK	IC	
Q103	HN1C01FU/G/-X	PAIR TRANSISTOR	
Q104	HN1A01FU/G/-X	PAIR TRANSISTOR	
Q7101	2SC3647/ST/-X	POW TRANSISTOR	
Q7102	2SC3647/ST/-X	POW TRANSISTOR	
Q7103	DTA144EE	TRANSISTOR	
Q7104	2SC4617/QR/-X	TRANSISTOR	
Q7105	2SC4617/QR/-X	TRANSISTOR	
Q7106	2SC4617/QR/-X	TRANSISTOR	
R101	NRSA6AJ-103W	MG RESISTOR	10kΩ,1/16W
R102	NRSA6AJ-105W	MG RESISTOR	1MΩ,1/16W
R103	NRSA6AJ-105W	MG RESISTOR	1MΩ,1/16W
R107	NRSA6AJ-182W	MG RESISTOR	1.8kΩ,1/16W
R108	NRSA6AJ-182W	MG RESISTOR	1.8kΩ,1/16W
R109	NRSA63J-680X	MG RESISTOR	68Ω,1/16W
R129	NRSA6AJ-0R0W	MG RESISTOR	0Ω,1/16W
R135	NRSA6AJ-0R0W	MG RESISTOR	0Ω,1/16W
R136	NRSA6AJ-0R0W	MG RESISTOR	0Ω,1/16W
R137	NRSA6AJ-0R0W	MG RESISTOR	0Ω,1/16W
R138	NRSA6AJ-0R0W	MG RESISTOR	0Ω,1/16W
R139	NRSA6AJ-0R0W	MG RESISTOR	0Ω,1/16W
R140	NRSA6AJ-0R0W	MG RESISTOR	0Ω,1/16W
R7103	NRSA6AJ-562W	MG RESISTOR	5.6kΩ,1/16W
R7104	NRSA6AJ-563W	MG RESISTOR	56kΩ,1/16W
R7105	NRSA6AJ-223W	MG RESISTOR	22kΩ,1/16W
R7106	NRSA6AJ-473W	MG RESISTOR	47kΩ,1/16W
R7107	NRSA6AJ-473W	MG RESISTOR	47kΩ,1/16W
R7108	NRSA6AJ-223W	MG RESISTOR	22kΩ,1/16W
R7109	NRSA6AJ-103W	MG RESISTOR	10kΩ,1/16W
R7110	NRSA6AJ-563W	MG RESISTOR	56kΩ,1/16W
R7111	NRSA63J-0R0X	MG RESISTOR	0Ω,1/16W
C101	NBE20JM-106X	T CAPACITOR	10μF,6.3V
C102	NCBA1AK-104W	CAPACITOR	0.1μF,10V
C104	NCB21CK-105X	CAPACITOR	1μF,16V
C105	NCBA1AK-104W	CAPACITOR	0.1μF,10V
C106	NCB21CK-105X	CAPACITOR	1μF,16V
C107	NBE20JM-106X	T CAPACITOR	10μF,6.3V
C108	NCB21CK-105X	CAPACITOR	1μF,16V
C109	NCB21CK-105X	CAPACITOR	1μF,16V
C120	NCBA1AK-104W	CAPACITOR	0.1μF,10V
C121	NBE90JM-106X	T CAPACITOR	10μF,6.3V
C7101	NCZ1016-100X	CAPACITOR	10pF,2kV
C7103	NFV41HJ-273X	MPPS CAPACITOR	0.027μF,50V
C7105	NBE41AM-476X	T CAPACITOR	47μF,10V
C7106	NCBA1CK-103W	CAPACITOR	0.01μF,16V

#	△	REF No.	PART No.	PART NAME, DESCRIPTION		#	△	REF No.	PART No.	PART NAME, DESCRIPTION		
			C7107	NDC31HJ-151X	CAPACITOR				C6508	NCB31EK-103X	CAPACITOR	0.01μF,25V
			C7108	NCB11CK-105X	CAPACITOR				C6512	QEZ0504-137	E CAPACITOR	130μF
			C7109	NCB31CK-104X	CAPACITOR				C6515	NCZ1019-273X	CAPACITOR	0.027μF
			L101	NQL315K-100X	COIL				L6501	NQS0047-001	SW TRANSF	
			L102	NQL315K-100X	COIL				L6502	NQL302N-100X	COIL	10μH
			L105	NQL302N-100X	COIL				L6503	NQL044K-470X	COIL	47μH
			L7101	NQLZ010-680X	COIL				CN6501	QGB0801L1-14X	CONNECTOR,(1-14)MAIN	
			L7102	NQLZ010-220X	COIL				STR1	LY31453-001A	STROBE UNIT	
			T7101	NQS0046-001X	SW TRANSF							
			J101	QNS0078-001	3.5 JACK							
			J102	NNZ0032-001X	USB CONNECTOR							
			J103	QNA0001-001	DC JACK							
			J104	NNZ0038-001X	D CONNECTOR							
			CN101	QGF0506F1-38X	CONNECTOR,(1-38)MAIN							
			CN7101	QGZ4501F1-02W	CONNECTOR,(1-2)LCD BL							
	△		F7101	NMFZ006-R40X-K	FUSE							T0.4A
			BT101	QAB0020-001	LI BATTERY							

\*\*\*\*\*

### STROBE FLASH BOARD ASSEMBLY <05>

PW3	YB10300E3-02	STROBE BOARD ASSY	
IC6502	TC7SET08FU	IC(DIGITAL)	
Q6501	2SB1462J/RS/-X	TRANSISTOR	
Q6502	UN9211J	TRANSISTOR	
Q6503	2SB1124/ST/-X	TRANSISTOR	
Q6504	2SD1628/FG/-X	TRANSISTOR	
Q6506	CT25ASJ-8-X	POW TRANSISTOR	
Q6507	UMC3N	TRANSISTOR	
D6501	F1F16	DIODE	
D6502	DA121	DIODE	
D6503	F1SN4	DIODE	
D6504	F1N4	DIODE	
D6505	SLR-342VR3F	LE DIODE (SELF)	
R6501	NRSA63J-5R6X	MG RESISTOR	5.6Ω,1/16W
R6502	NRSA63J-4R7X	MG RESISTOR	4.7Ω,1/16W
R6503	NRSA63J-103X	MG RESISTOR	10kΩ,1/16W
R6504	NRSA63J-471X	MG RESISTOR	470Ω,1/16W
R6505	NRSA63J-222X	MG RESISTOR	2.2kΩ,1/16W
R6506	NRSA63J-152X	MG RESISTOR	1.5kΩ,1/16W
R6507	NRSA02J-106X	MG RESISTOR	10MΩ,1/10W
R6508	NRVA63D-184X	CMF RESISTOR	180kΩ,1/16W
R6511	NRSA63J-473X	MG RESISTOR	47kΩ,1/16W
R6514	NRSA02J-105X	MG RESISTOR	1MΩ,1/10W
R6515	NRS181J-220X	MG RESISTOR	22Ω,1/8W
R6516	NRSA02J-104X	MG RESISTOR	100kΩ,1/10W
R6519	NRSA02J-106X	MG RESISTOR	10MΩ,1/10W
R6520	NRSA63J-330X	MG RESISTOR	33Ω,1/16W
R6521	NRSA02J-0R0X	MG RESISTOR	0Ω,1/10W
R6527	NRSA63J-391X	MG RESISTOR	390Ω,1/16W
R6528	NRSA63J-391X	MG RESISTOR	390Ω,1/16W
R6529	NRSA63J-473X	MG RESISTOR	47kΩ,1/16W
C6501	NBE41AM-336X	T CAPACITOR	33μF,10V
C6502	NBE41AM-226X	T CAPACITOR	22μF,10V
C6503	NCB31EK-103X	CAPACITOR	0.01μF,25V
C6506	NCZ1008-333X	CAPACITOR	0.033μF
C6507	NCZ1019-273X	CAPACITOR	0.027μF

